

Temperature Controllers

E5CB

Ideal for heater control, these Temperature Controllers offer the highest control performance at surprisingly low cost!

Full size



Easy to Wash

Easy to Use for Temperature Alarm Management

Easily Visible from a Distance

» Highest Cost Performance.

» **Easy to Read with One of the Largest Character Displays Anywhere.**

» Reliable features include high controllability and a 3-year warranty.

Sense of Security

Reliability

Control You get the same control performance as with the E5_N Temperature Controllers.

Stable temperature control is achieved through the same control performance as the E5_N Temperature Controllers, the best-selling general-purpose temperature controllers in the world.* Side-by-side installation improves flexibility in panel design.

*According to OMRON investigation, November 2010.

Outstanding control and high reliability are inherited.



Global Quality A long-term warranty and compliance with global standards ensure reliable export of equipment.

A 3-year warranty has been achieved for 48x48-mm Temperature Controllers. Increase the added value of your machines through the global quality achieved with the stable control performance of the E5_N Temperature Controllers combined with highly demanded IP66 protection.



Reliability that meets your requirements with a 3-year warranty.

Control Performance Plus a Low Cost! Simple Model Selection and Setup!

As Easy as 1, 2, 3, GO!



Full size



Short Body

Short Body

Space-saving Design Reduces Control Panel Depth

A depth of 60 mm beyond the mounting surface is achieved by an approximate 23% reduction in comparison to our previous models. Space-saving design for depth beyond the front surface.



Approx. 23% Reduction (compared to previous models)

60mm

Simple Specification

Simple

Simple Setup Optimum Heater Control and Fewer Parameters for Simple Setup.

Only the minimum settings required for temperature control need to be made. Setup work is reduced remarkably.

Auto-tuning starts instantly by pressing the NTLPxKEY W Key during PID control.



Simple Selection Eight Different Models Available. Selection Time Is Reduced.

Eight different basic models with temperature control and one alarm output enable model selection in less time.



Select from Eight Basic Models.

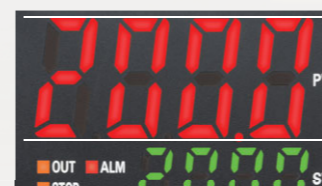
For details, see the back cover.

Visible Display

Visibility

Temperature Display One of the world's largest display character sizes enhances visibility at work site.

Panel display is enhanced as a result of specialized heater control, and one of the world's largest PV display character sizes for 48x48-mm temperature controllers is provided: 16.2 mm x 4 digits. Easy status confirmation from a distance improves workability.



Approx. 1.5 Times Larger (compared to previous models)

16.2mm

One of the World's Largest Character Sizes



Brighter Than Previous Models

Many Other Useful Features

Settings can be made in your office prior to assembly and wiring in the control panel, and setting can be reset in your office during startup adjustments and maintenance. This is ideal for customers using many Temperature Controllers in mass-produced machines.

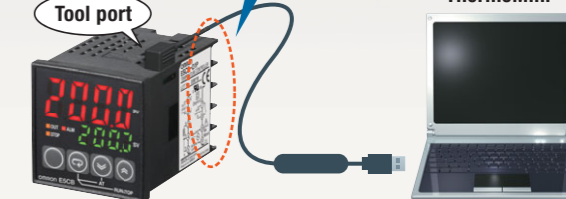
Feature 1 Settings can be copied from the ThermoMini.

A communications conversion cable (option, sold separately: E58-CIFQ2) can be connected to the tool port on the top of the E5CB, and settings can be copied by downloading the ThermoMini free software.

Feature 2 You do not need to connect a power supply to the E5CB to set it up from a personal computer.

The E5CB receives the power supply required for setup from the computer through the USB bus power source. Settings can be made from ThermoMini or the front panel of the Temperature Controller without connecting the power supply to the E5CB.

No Wiring to the Terminal Block Free software NTLPxRETURN ThermoMini



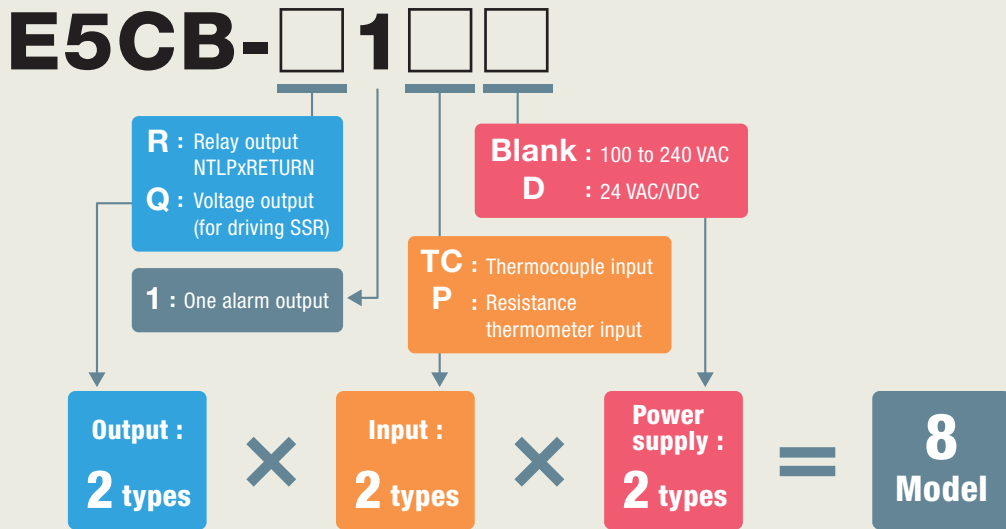
*For display and setup. Control output does not operate.

Data can be downloaded from Web. www.fa.omron.co.jp

E5CB

 The New Concept Temperature Controllers

Easy model selection and reduced intermediate inventory. Eight Different Models Are Available.



Ordering Information (For delivery times, contact your OMRON representative.)

Power supply voltage: 100 to 240 VAC

Control outputs	Alarm output	Model with thermocouple	Model with platinum resistance thermometer
Relay output	1	E5CB-R1TC	E5CB-R1P
Voltage output (for driving SSR)		E5CB-Q1TC	E5CB-Q1P

Power Supply Voltage: 24 VAC/VDC

Control outputs	Alarm output	Model with thermocouple	Model with platinum resistance thermometer
Relay output	1	E5CB-R1TCD	E5CB-R1PD
Voltage output (for driving SSR)		E5CB-Q1TCD	E5CB-Q1PD

Accessories (Order Separately)

Name	Model
USB-Serial Conversion Cable	E58-C1FQ2

Specifications

Item	Specifications
Size	W48×H48×D60 (mm)
Indication accuracy	Thermocouple: 0.5% Platinum resistance thermometer: 0.5%
Sampling period	250ms
Input type	Thermocouple: K, J, T, R, or S Platinum resistance thermometer: Pt100
Control outputs	Relay output: 250 VAC, 3 A Voltage output: 12 VDC, 21 mA
Alarm output	250 VAC, 1 A

OMRON AUTOMATION AND SAFETY • THE AMERICAS HEADQUARTERS • Schaumburg, IL USA • 847.843.7900 • 800.556.6766 • www.omron247.com

OMRON CANADA, INC. • HEAD OFFICE
Toronto, ON, Canada • 416.286.6465 • 866.986.6766 • www.omron247.com

OMRON ARGENTINA • SALES OFFICE
Cono Sur • 54.11.4783.5300

OMRON ELECTRONICS DE MEXICO • HEAD OFFICE
México DF • 52.55.59.01.43.00 • 001.800.556.6766 • mela@omron.com

OMRON CHILE • SALES OFFICE
Santiago • 56.9.9917.3920

OMRON ELECTRONICS DE MEXICO • SALES OFFICE
Apodaca, N.L. • 52.81.11.56.99.20 • 001.800.556.6766 • mela@omron.com

OTHER OMRON LATIN AMERICA SALES
54.11.4783.5300

OMRON ELETRÔNICA DO BRASIL LTDA • HEAD OFFICE
São Paulo, SP, Brasil • 55.11.2101.6300 • www.omron.com.br

OMRON EUROPE B.V. • Wegalaan 67-69, NL-2132 JD, Hoofddorp, The Netherlands • Tel: +31 (0) 23 568 13 00 • Fax: +31 (0) 23 568 13 88 • www.industrial.omron.eu