

# Voltage Detection Unit G32A-C

CSM\_G32A-C\_DS\_E\_1\_1

Refer to *Safety Precautions for All Solid State Relays*.

## Prevents G3PA Malfunction

- Connects to a maximum of two G3PA-VD Relays.
- Prevents malfunction of the G3PA-VD due to residual voltage, leakage current, or input noise.



## Model Number Structure

### ■ Model Number Legend

#### G32A-C-US

1 2 3

#### 1. Basic Model Type

G32A: Accessory for G3PA

#### 2. Basic Model Name

C: Voltage Detection Unit

#### 3. Certification

US: Certified by UL and CSA

## Ordering Information

### ■ List of Models

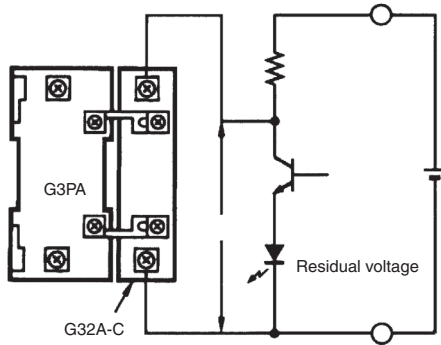
Name	Rated input voltage	Model
Voltage Detection Unit	12/24 VDC	G32A-C-US

**Note:** When ordering, specify the rated input voltage.

# Application Examples

- The G32A-C can be used to prevent malfunction due to residual voltage, leakage current, and input noise.

## Residual Voltage



In rated operation, the G3PA turns ON at 4 V max. Ordinarily, the G3PA might turn ON if the residual voltage in transistor circuits exceeds 3 V. (The G32A-C makes voltage output at voltages exceeding 9.6 V.)

- The G32A-C can be used to improve the synchronization of input signals during 3-phase load switching.
- The G32A-C can be used to fix the trigger voltage when using a timing circuit.

# Specifications

## ■ Ratings (at an Ambient Temperature of 25°C)

Item		Specifications
Rated input voltage		12/24 VDC
Rated input current	One G3PA	8 mA max. (when 24 VDC applied)
	Two G3PAs	14 mA max. (when 24 VDC applied)
Must operate voltage		9.6 V ±10%
Must release voltage		5 V min.
Output voltage		12 VDC ±15%

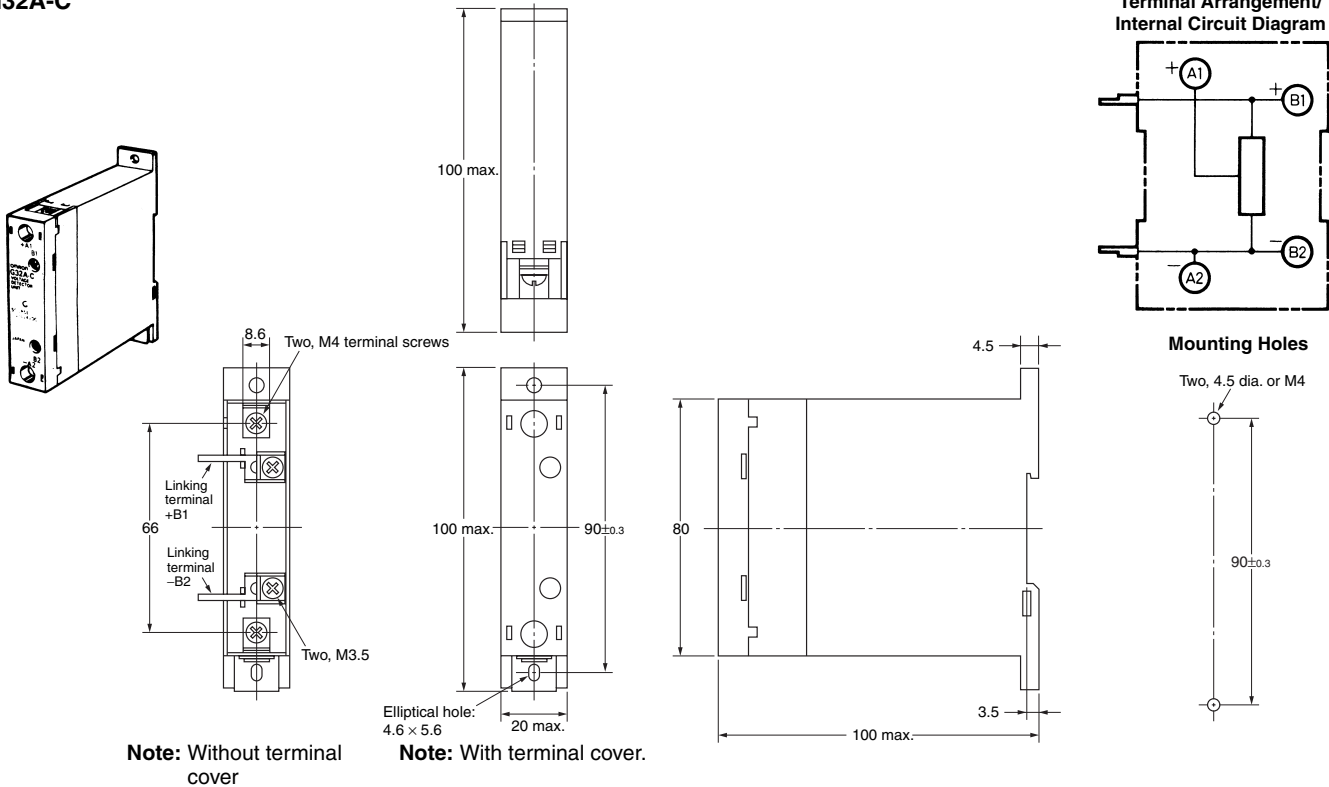
## ■ Characteristics

Item	Specifications
Input voltage range	10.2 to 30 VDC
Operate time	1 ms max.
Release time	1 ms max.
Vibration resistance	10 to 55 to 10 Hz, 0.375-mm single amplitude (when mounted using screws)
Shock resistance	300 m/s <sup>2</sup> (approx. 30 G)
Ambient temperature	Storage: -30 to 100°C (with no icing or condensation) Operating: -30 to 80°C (with no icing or condensation)
Ambient operating humidity	45% to 85%
Weight	Approx. 65 g

# Dimensions

Note: All units are in millimeters unless otherwise indicated.

## G32A-C



Note: Without terminal cover

Note: With terminal cover.

# Safety Precautions

Refer to *Safety Precautions for All Solid State Relays*.

## ■ Precautions for Correct Use

Refer to *G3PA* for the linking terminal connection procedure.

ALL DIMENSIONS SHOWN ARE IN MILLIMETERS.  
 To convert millimeters into inches, multiply by 0.03937. To convert grams into ounces, multiply by 0.03527.

In the interest of product improvement, specifications are subject to change without notice.

## Read and Understand This Catalog

Please read and understand this catalog before purchasing the products. Please consult your OMRON representative if you have any questions or comments.

## Warranty and Limitations of Liability

### WARRANTY

OMRON's exclusive warranty is that the products are free from defects in materials and workmanship for a period of one year (or other period if specified) from date of sale by OMRON.

OMRON MAKES NO WARRANTY OR REPRESENTATION, EXPRESS OR IMPLIED, REGARDING NON-INFRINGEMENT, MERCHANTABILITY, OR FITNESS FOR PARTICULAR PURPOSE OF THE PRODUCTS. ANY BUYER OR USER ACKNOWLEDGES THAT THE BUYER OR USER ALONE HAS DETERMINED THAT THE PRODUCTS WILL SUITABLY MEET THE REQUIREMENTS OF THEIR INTENDED USE. OMRON DISCLAIMS ALL OTHER WARRANTIES, EXPRESS OR IMPLIED.

### LIMITATIONS OF LIABILITY

OMRON SHALL NOT BE RESPONSIBLE FOR SPECIAL, INDIRECT, OR CONSEQUENTIAL DAMAGES, LOSS OF PROFITS OR COMMERCIAL LOSS IN ANY WAY CONNECTED WITH THE PRODUCTS, WHETHER SUCH CLAIM IS BASED ON CONTRACT, WARRANTY, NEGLIGENCE, OR STRICT LIABILITY.

In no event shall the responsibility of OMRON for any act exceed the individual price of the product on which liability is asserted.

IN NO EVENT SHALL OMRON BE RESPONSIBLE FOR WARRANTY, REPAIR, OR OTHER CLAIMS REGARDING THE PRODUCTS UNLESS OMRON'S ANALYSIS CONFIRMS THAT THE PRODUCTS WERE PROPERLY HANDLED, STORED, INSTALLED, AND MAINTAINED AND NOT SUBJECT TO CONTAMINATION, ABUSE, MISUSE, OR INAPPROPRIATE MODIFICATION OR REPAIR.

## Application Considerations

### SUITABILITY FOR USE

OMRON shall not be responsible for conformity with any standards, codes, or regulations that apply to the combination of products in the customer's application or use of the products.

At the customer's request, OMRON will provide applicable third party certification documents identifying ratings and limitations of use that apply to the products. This information by itself is not sufficient for a complete determination of the suitability of the products in combination with the end product, machine, system, or other application or use.

The following are some examples of applications for which particular attention must be given. This is not intended to be an exhaustive list of all possible uses of the products, nor is it intended to imply that the uses listed may be suitable for the products:

- Outdoor use, uses involving potential chemical contamination or electrical interference, or conditions or uses not described in this catalog.
- Nuclear energy control systems, combustion systems, railroad systems, aviation systems, medical equipment, amusement machines, vehicles, safety equipment, and installations subject to separate industry or government regulations.
- Systems, machines, and equipment that could present a risk to life or property.

Please know and observe all prohibitions of use applicable to the products.

NEVER USE THE PRODUCTS FOR AN APPLICATION INVOLVING SERIOUS RISK TO LIFE OR PROPERTY WITHOUT ENSURING THAT THE SYSTEM AS A WHOLE HAS BEEN DESIGNED TO ADDRESS THE RISKS, AND THAT THE OMRON PRODUCTS ARE PROPERLY RATED AND INSTALLED FOR THE INTENDED USE WITHIN THE OVERALL EQUIPMENT OR SYSTEM.

### PROGRAMMABLE PRODUCTS

OMRON shall not be responsible for the user's programming of a programmable product, or any consequence thereof.

## Disclaimers

### CHANGE IN SPECIFICATIONS

Product specifications and accessories may be changed at any time based on improvements and other reasons.

It is our practice to change model numbers when published ratings or features are changed, or when significant construction changes are made. However, some specifications of the products may be changed without any notice. When in doubt, special model numbers may be assigned to fix or establish key specifications for your application on your request. Please consult with your OMRON representative at any time to confirm actual specifications of purchased products.

### DIMENSIONS AND WEIGHTS

Dimensions and weights are nominal and are not to be used for manufacturing purposes, even when tolerances are shown.

### PERFORMANCE DATA

Performance data given in this catalog is provided as a guide for the user in determining suitability and does not constitute a warranty. It may represent the result of OMRON's test conditions, and the users must correlate it to actual application requirements. Actual performance is subject to the OMRON Warranty and Limitations of Liability.

### ERRORS AND OMISSIONS

The information in this document has been carefully checked and is believed to be accurate; however, no responsibility is assumed for clerical, typographical, or proofreading errors, or omissions.

2009.11

In the interest of product improvement, specifications are subject to change without notice.

**OMRON Corporation**  
Industrial Automation Company

<http://www.ia.omron.com/>

(c)Copyright OMRON Corporation 2009 All Right Reserved.