

Voltage Detection Unit G32A-C

Prevents G3PA Malfunction

- Connects to a maximum of two G3PA-VD Relays.
- Prevents malfunction of the G3PA-VD due to residual voltage, leakage current, or input noise.



Ordering Information

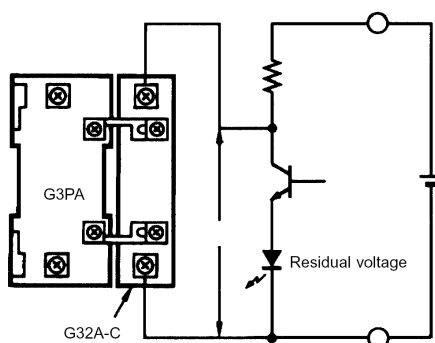
Name	Rated input voltage	Model
Voltage Detection Unit	12/24 VDC	G32A-C

Note: Contact Omron for details of applicable standards.

Application Examples

The G32A-C can be used to prevent malfunction due to residual voltage, leakage current, and input noise.

■ Residual Voltage



In rated operation, the G3PA turns ON at 4 V max. Ordinarily, the G3PA might turn ON if the residual voltage in transistor circuits exceeds 3 V. (The G32A-C makes voltage output at voltages exceeding 9.6 V.)

- The G32A-C can be used to improve the synchronization of input signals during 3-phase load switching.
- The G32A-C can be used to fix the trigger voltage when using a timing circuit.

Specifications

■ Ratings

Item	Specifications	
Rated input voltage	12/24 VDC	
Rated input current	One G3PA	8 mA max. (when 24 VDC applied)
	Two G3PAs	1.4 mA max. (when 24 VDC applied)
Must-operate voltage	9.6 V \pm 10%	
Reset voltage	5 V min.	
Output voltage	12 VDC \pm 15%	

■ Characteristics

Item	Specifications
Input voltage range	10.2 to 30 VDC
Operating time	1 ms max.
Reset time	1 ms max.
Vibration resistance	10 to 55 Hz, 0.75-mm double-amplitude (when mounted using screws)
Shock resistance	300 m/s ² (approx. 30 G)
Ambient temperature	Storage: -30 to 100°C (with no icing or condensation) Operating: -30 to 80°C (with no icing or condensation)
Ambient operating humidity	45% to 85%
Weight	Approx. 65 g

ALL DIMENSIONS SHOWN ARE IN MILLIMETERS. To convert millimeters into inches, divide by 25.4

OMRON®

OMRON ELECTRONICS LLC

One Commerce Drive
Schaumburg, IL 60173

847-843-7900

For US technical support or other inquiries:

800-556-6766

OMRON CANADA, INC.

885 Milner Avenue
Toronto, Ontario M1B 5V8

416-286-6465

OMRON ON-LINE

Global - <http://www.omron.com>
USA - <http://www.omron.com/oei>
Canada - <http://www.omron.ca>