



With wall-mounting Attachment
GT14H-50ATT

GT14H-50ATT General Description

Manual Number	JY997D61701C
Date	April 2015

This manual describes the part names, dimensions, mounting, and specifications of the product. Before use, read this manual and manuals of relevant products fully to acquire proficiency in handling and operating the product. Make sure to learn all the product information, safety information, and precautions. And, store this manual in a safe place so that you can take it out and read it whenever necessary. Always forward it to the end user.

Registration
Ethernet is a trademark of Xerox Corporation in the United States. The company name and the product name to be described in this manual are the registered trademarks or trademarks of each company.

Effective April 2015
Specifications are subject to change without notice.
© 2014 MITSUBISHI ELECTRIC CORPORATION

Safety Precaution (Read these precautions before using.)

Before using this product, please read this manual and the relevant manuals introduced in this manual carefully and pay full attention to safety to handle the product correctly. The precautions given in this manual are concerned with this product. In this manual, the safety precautions are ranked as "WARNING" and "CAUTION".

	WARNING Indicates that incorrect handling may cause hazardous conditions, resulting in death or severe injury.
	CAUTION Indicates that incorrect handling may cause hazardous conditions, resulting in medium or slight personal injury or physical damage.

Depending on circumstances, procedures indicated by "CAUTION" may also be linked to serious results. In any case, it is important to follow the directions for usage.

MOUNTING PRECAUTIONS	CAUTION
<ul style="list-style-type: none"> When attaching the with wall-mounting Attachment on the panel surface, fit the wall-hanging fixture on the panel surface, and tighten the mounting screws in the specified torque range (0.69 to 0.88 N·m) using a screwdriver. If the mounting screws are tightened insufficiently, the handy GOT may drop, fail or malfunction. If the mounting screws are tightened too much, the screws and with wall-mounting Attachment may be damaged, leading to drop, failure or malfunction of the handy GOT. Periodically check that the installation screws are not loose. If they are loose, refasten the screws. 	

OPERATION PRECAUTIONS	CAUTION
<ul style="list-style-type: none"> Do not use the with wall-mounting Attachment in such environment that vibrations and impacts are applied. Confirm the strength of the panel on which the with wall-mounting Attachment will be attached. The panel should have sufficient strength against the weight of the handy GOT and cable as well as a force applied when the handy GOT is attached or removed. Periodically check that the screws of the wall-mounting attachment posts are not loose. If they are loose, refasten the screws. (Tightening torque: 0.18 to 0.20 N·m) 	

DISPOSAL PRECAUTIONS	CAUTION
<ul style="list-style-type: none"> When disposing of this product, treat it as industrial waste. 	

Manual

The following shows manuals relevant to this product.

Detailed Manual

Manual name	Manual number (Model code)
GT14 Handy GOT User's Manual (Hardware-Utility, Connection) 1/2, 2/2	JY997D50201 JY997D50202 (09R825)

For detailed manuals, refer to the PDF manuals stored in the DVD-ROM for the drawing software used.

Relevant Manuals

For relevant manuals, refer to the Help or the PDF manuals stored in the DVD-ROM for the drawing software used. The latest manuals are also available from MITSUBISHI ELECTRIC FA Global Website (<http://www.MitsubishiElectric.co.jp/fa>).

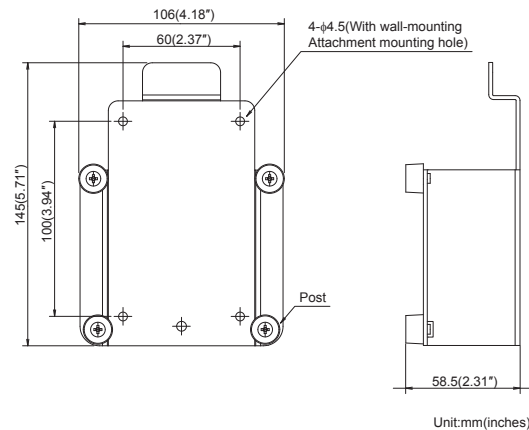
1. FEATURES

The with wall-mounting Attachment is available to fix the handy GOT on the wall, stand or panel.

1.1 Bundled Items

Bundled item	Quantity
Mounting screw (M4-14)	4
Nut (M4)	4
With wall-mounting Attachment GT14H-50ATT General Description (This manual)	1

2. External Dimensions



3. Specifications

3.1 General Specifications

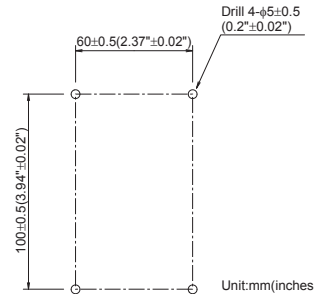
The general specifications are same as those of the GOT main unit. Refer to the following.

→ GT14 Handy GOT User's Manual

* Do not use the with wall-mounting Attachment in such environment that vibrations and impacts are applied.

4. Mounting

- Attaching the with wall-mounting Attachment on the panel surface
 - Processing the panel surface (, wall surface or stand surface) Drill mounting holes of the dimensions shown below on the panel.



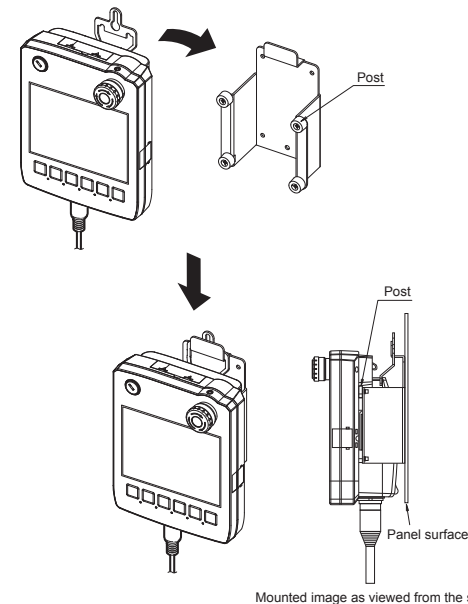
- Attaching the with wall-mounting Attachment on the panel surface
Fit the with wall-mounting Attachment on the panel front face, and fix it with M4 screws and nuts (which are packed together). Holes of φ4.5 are drilled for mounting the with wall-mounting Attachment. Tighten the mounting screws at a specified torque. If the mounting screws are tightened too much, not only the mounting screws but also the with wall-mounting Attachment may be damaged.

Tightening torque	0.69 to 0.88 N·m
-------------------	------------------

Make sure that interfering objects are not present in the downward direction so that connection of the external connection cable will not be hindered. When opening and closing the environment-resistant interface cover (for using the USB/SD card connector located inside the cover) while the handy GOT is attached, make sure that interfering objects are not present in the upward direction.

5. Attachment of GT14 handy GOT

The figure shows an image of attaching the GT14 handy GOT to the wall-hanging fixture.



This manual confers no industrial property rights or any rights of any other kind, nor does it confer any patent licenses. Mitsubishi Electric Corporation cannot be held responsible for any problems involving industrial property rights which may occur as a result of using the contents noted in this manual.

Warranty
Mitsubishi will not be held liable for damage caused by factors found not to be the cause of Mitsubishi; opportunity loss or lost profits caused by faults in the Mitsubishi products; damage, secondary damage, accident compensation caused by special factors unpredictable by Mitsubishi; damages to products other than Mitsubishi products; and to other duties.

For safe use
<ul style="list-style-type: none"> This product has been manufactured as a general-purpose part for general industries, and has not been designed or manufactured to be incorporated in a device or system used in purposes related to human life. Before using the product for special purposes such as nuclear power, electric power, aerospace, medicine or passenger movement vehicles, consult with Mitsubishi Electric. This product has been manufactured under strict quality control. However when installing the product where major accidents or losses could occur if the product fails, install appropriate backup or failsafe functions in the system.