

**Discontinuation Notice of C200H series Analog unit, C200H-AD002.****Product Discontinuation**

Analog unit

**Model C200H-AD002****Recommended Replacement**

Analog Input Units

**Model CJ1W-AD081-V1  
Model CS1W-AD081-V1****[ Discontinuation date ]**

The end of March, 2014

**[ Caution on recommended replacement ]**

If CJ1W-AD041-V1 or CS1W-AD041-V1 are used, it is necessary to change whole PLC system.

There are differences of specifications.

Please refer to the operation manual.

**[ Difference from discontinued product ]**

Recommended replacement Model	Body Color	Dimensions	Wire connection	Mounting Dimensions	Characteristics	Operation ratings	Operation methods
CJ1W-AD081-V1	--	--	--	--	*	*	--
CS1W-AD081-V1	*	*	--	--	*	*	--

\*\* : Compatible

\* : The change is a little/Almost compatible

-- : Not compatible

- : No corresponding specification

**[ Product Discontinuation and recommended replacement ]**

Product discontinuation	Recommended replacement
C200H-AD002	CJ1W-AD081-V1
	CS1W-AD081-V1

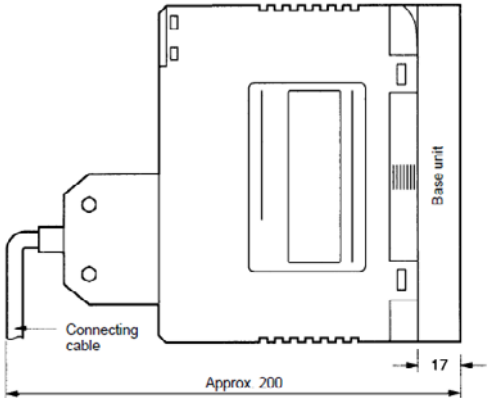
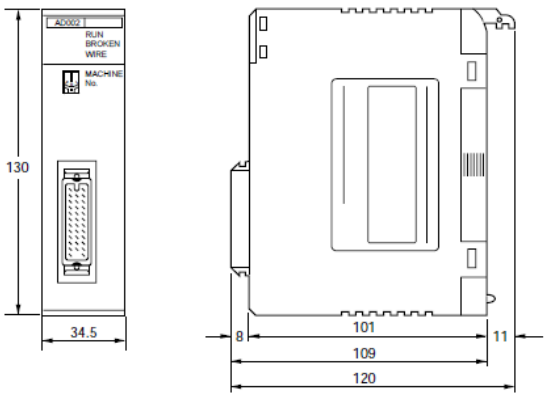
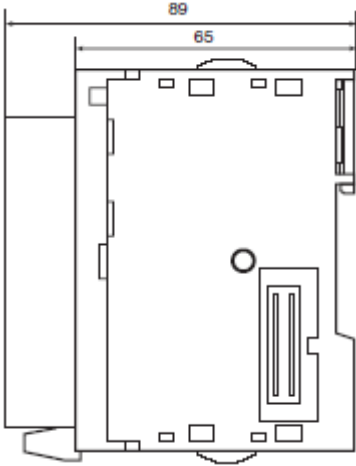
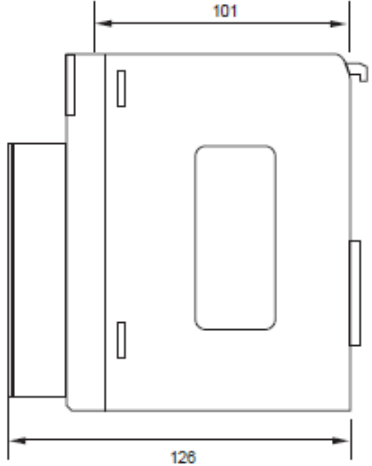
[ Specifications ]

Item		Product discontinuation		Recommendable replacement	
		Model C200H-AD002		Model CJ1W-AD081-V1	Model CS1W-AD081-V1
Number of analog input		8		8	8
Resolution		4000		4000/8000	4000/8000
Conversion time		2.5 ms max. /point		1 ms/250 μs max. /point	1 ms/250 μs max. /point
Input signal range		0 to 10 V ±10 V 1 to 5 V 4 to 20 mA		0 to 10 V ±10 V 1 to 5 V 4 to 20 mA	0 to 10 V ±10 V 1 to 5 V 4 to 20 mA
Input impedance		1 MΩ min.		1 MΩ min.	1 MΩ min.
Converted output data		Converted output data /BCD		16-bit binary data	16-bit binary data
Accuracy	Voltage Input	25°C	±0.25% FS	±0.2% FS	±0.4% FS
		0°C to 55°C	±0.6% FS	±0.4% FS	±0.6% FS
	Current Input	25°C	±0.4% FS	±0.4% FS	±0.4% FS
		0°C to 55°C	±0.8% FS	±0.6% FS	±0.6% FS
Number of Reserved Channels		10 CH		10 CH	10 CH
External connectors		34-pin connector		18-point detachable terminal block	21-point detachable terminal block
Function	Disconnection detection	None		Exist	Exist (1 to 5 V/4 to 20 mA)
	Mean value	Simple average		Moving average	Moving average
	Peak value hold	Exist		Exist	Exist
	Scaling	Exist		None	None
	Limit warning	Exist		None	None
	BCD setting	Exist		None	None
	Square Root Calculation	Exist		None	None

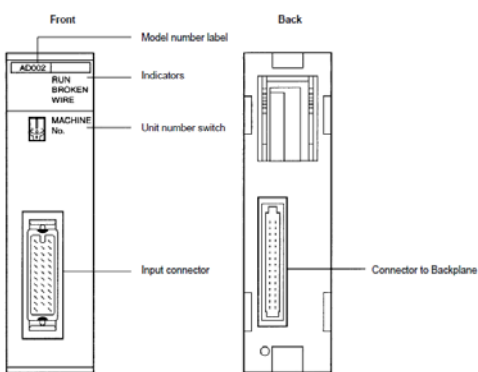
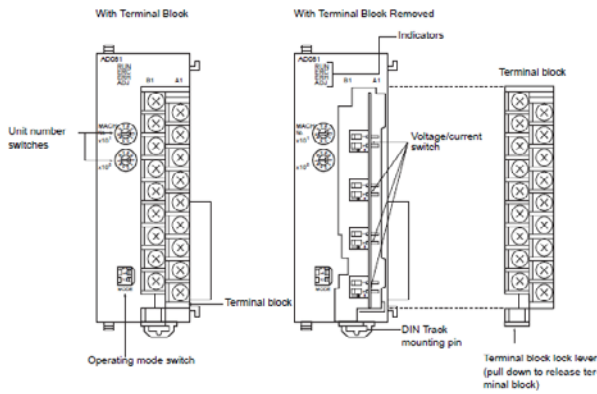
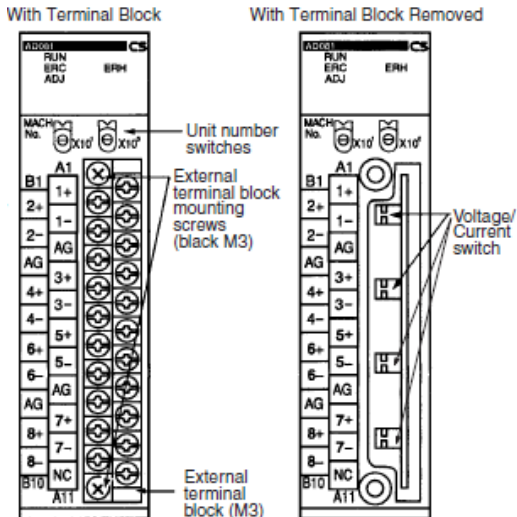
[ Wire connection ]

Product discontinuation Model C200H-AD002				Recommendable replacement																																																																																																																																																																	
<b>Wire connection</b>				<b>Wire connection</b>																																																																																																																																																																	
<table border="1" style="width: 100%; border-collapse: collapse; text-align: center;"> <thead> <tr> <th>Pin no.</th> <th>Name</th> <th>Pin no.</th> <th>Name</th> <th>Pin no.</th> <th>Name</th> </tr> </thead> <tbody> <tr> <td>12</td> <td>Common (-)</td> <td>---</td> <td>---</td> <td>34</td> <td>Common (-)</td> </tr> <tr> <td>11</td> <td>Current input (+)</td> <td>---</td> <td>---</td> <td>33</td> <td>Current input (+)</td> </tr> <tr> <td>10</td> <td>Voltage/Current input (+)</td> <td>22</td> <td>Analog ground (AG)</td> <td>32</td> <td>Voltage/Current input (+)</td> </tr> <tr> <td>9</td> <td>Common (-)</td> <td>21</td> <td>Shield</td> <td>31</td> <td>Common (-)</td> </tr> <tr> <td>8</td> <td>Current input (+)</td> <td>20</td> <td>Shield</td> <td>30</td> <td>Current input (+)</td> </tr> <tr> <td>7</td> <td>Voltage/Current input (+)</td> <td>19</td> <td>Shield</td> <td>29</td> <td>Voltage/Current input (+)</td> </tr> <tr> <td>6</td> <td>Common (-)</td> <td>18</td> <td>Shield</td> <td>28</td> <td>Common (-)</td> </tr> <tr> <td>5</td> <td>Current input (+)</td> <td>17</td> <td>Shield</td> <td>27</td> <td>Current input (+)</td> </tr> <tr> <td>4</td> <td>Voltage/Current input (+)</td> <td>16</td> <td>Shield</td> <td>26</td> <td>Voltage/Current input (+)</td> </tr> <tr> <td>3</td> <td>Common (-)</td> <td>15</td> <td>Shield</td> <td>25</td> <td>Common (-)</td> </tr> <tr> <td>2</td> <td>Current input (+)</td> <td>14</td> <td>Shield</td> <td>24</td> <td>Current input (+)</td> </tr> <tr> <td>1</td> <td>Voltage/Current input (+)</td> <td>13</td> <td>Frame ground (FG)</td> <td>23</td> <td>Voltage/Current input (+)</td> </tr> </tbody> </table>				Pin no.	Name	Pin no.	Name	Pin no.	Name	12	Common (-)	---	---	34	Common (-)	11	Current input (+)	---	---	33	Current input (+)	10	Voltage/Current input (+)	22	Analog ground (AG)	32	Voltage/Current input (+)	9	Common (-)	21	Shield	31	Common (-)	8	Current input (+)	20	Shield	30	Current input (+)	7	Voltage/Current input (+)	19	Shield	29	Voltage/Current input (+)	6	Common (-)	18	Shield	28	Common (-)	5	Current input (+)	17	Shield	27	Current input (+)	4	Voltage/Current input (+)	16	Shield	26	Voltage/Current input (+)	3	Common (-)	15	Shield	25	Common (-)	2	Current input (+)	14	Shield	24	Current input (+)	1	Voltage/Current input (+)	13	Frame ground (FG)	23	Voltage/Current input (+)	<p><b>Model CJ1W-AD081-V1</b></p> <table border="1" style="width: 100%; border-collapse: collapse; text-align: center;"> <tbody> <tr><td>Input 2 (+)</td><td>B1</td><td>A1</td><td>Input 1 (+)</td></tr> <tr><td>Input 2 (-)</td><td>B2</td><td>A2</td><td>Input 1 (-)</td></tr> <tr><td>Input 4 (+)</td><td>B3</td><td>A3</td><td>Input 3 (+)</td></tr> <tr><td>Input 4 (-)</td><td>B4</td><td>A4</td><td>Input 3 (-)</td></tr> <tr><td>AG</td><td>B5</td><td>A5</td><td>AG</td></tr> <tr><td>Input 6 (+)</td><td>B6</td><td>A6</td><td>Input 5 (+)</td></tr> <tr><td>Input 6 (-)</td><td>B7</td><td>A7</td><td>Input 5 (-)</td></tr> <tr><td>Input 8 (+)</td><td>B8</td><td>A8</td><td>Input 7 (+)</td></tr> <tr><td>Input 8 (-)</td><td>B9</td><td>A9</td><td>Input 7 (-)</td></tr> </tbody> </table> <p><b>Model CS1W-AD081-V1</b></p> <table border="1" style="width: 100%; border-collapse: collapse; text-align: center;"> <tbody> <tr><td>Input 2 (+)</td><td>B1</td><td>A1</td><td>Input 1 (+)</td></tr> <tr><td>Input 2 (-)</td><td>B2</td><td>A2</td><td>Input 1 (-)</td></tr> <tr><td>AG</td><td>B3</td><td>A3</td><td>AG</td></tr> <tr><td>Input 4 (+)</td><td>B4</td><td>A4</td><td>Input 3 (+)</td></tr> <tr><td>Input 4 (-)</td><td>B5</td><td>A5</td><td>Input 3 (-)</td></tr> <tr><td>Input 6 (+)</td><td>B6</td><td>A6</td><td>Input 5 (+)</td></tr> <tr><td>Input 6 (-)</td><td>B7</td><td>A7</td><td>Input 5 (-)</td></tr> <tr><td>AG</td><td>B8</td><td>A8</td><td>AG</td></tr> <tr><td>Input 8 (+)</td><td>B9</td><td>A9</td><td>Input 7 (+)</td></tr> <tr><td>Input 8 (-)</td><td>B10</td><td>A10</td><td>Input 7 (-)</td></tr> <tr><td></td><td></td><td>A11</td><td>N.C.</td></tr> </tbody> </table>				Input 2 (+)	B1	A1	Input 1 (+)	Input 2 (-)	B2	A2	Input 1 (-)	Input 4 (+)	B3	A3	Input 3 (+)	Input 4 (-)	B4	A4	Input 3 (-)	AG	B5	A5	AG	Input 6 (+)	B6	A6	Input 5 (+)	Input 6 (-)	B7	A7	Input 5 (-)	Input 8 (+)	B8	A8	Input 7 (+)	Input 8 (-)	B9	A9	Input 7 (-)	Input 2 (+)	B1	A1	Input 1 (+)	Input 2 (-)	B2	A2	Input 1 (-)	AG	B3	A3	AG	Input 4 (+)	B4	A4	Input 3 (+)	Input 4 (-)	B5	A5	Input 3 (-)	Input 6 (+)	B6	A6	Input 5 (+)	Input 6 (-)	B7	A7	Input 5 (-)	AG	B8	A8	AG	Input 8 (+)	B9	A9	Input 7 (+)	Input 8 (-)	B10	A10	Input 7 (-)			A11	N.C.
Pin no.	Name	Pin no.	Name	Pin no.	Name																																																																																																																																																																
12	Common (-)	---	---	34	Common (-)																																																																																																																																																																
11	Current input (+)	---	---	33	Current input (+)																																																																																																																																																																
10	Voltage/Current input (+)	22	Analog ground (AG)	32	Voltage/Current input (+)																																																																																																																																																																
9	Common (-)	21	Shield	31	Common (-)																																																																																																																																																																
8	Current input (+)	20	Shield	30	Current input (+)																																																																																																																																																																
7	Voltage/Current input (+)	19	Shield	29	Voltage/Current input (+)																																																																																																																																																																
6	Common (-)	18	Shield	28	Common (-)																																																																																																																																																																
5	Current input (+)	17	Shield	27	Current input (+)																																																																																																																																																																
4	Voltage/Current input (+)	16	Shield	26	Voltage/Current input (+)																																																																																																																																																																
3	Common (-)	15	Shield	25	Common (-)																																																																																																																																																																
2	Current input (+)	14	Shield	24	Current input (+)																																																																																																																																																																
1	Voltage/Current input (+)	13	Frame ground (FG)	23	Voltage/Current input (+)																																																																																																																																																																
Input 2 (+)	B1	A1	Input 1 (+)																																																																																																																																																																		
Input 2 (-)	B2	A2	Input 1 (-)																																																																																																																																																																		
Input 4 (+)	B3	A3	Input 3 (+)																																																																																																																																																																		
Input 4 (-)	B4	A4	Input 3 (-)																																																																																																																																																																		
AG	B5	A5	AG																																																																																																																																																																		
Input 6 (+)	B6	A6	Input 5 (+)																																																																																																																																																																		
Input 6 (-)	B7	A7	Input 5 (-)																																																																																																																																																																		
Input 8 (+)	B8	A8	Input 7 (+)																																																																																																																																																																		
Input 8 (-)	B9	A9	Input 7 (-)																																																																																																																																																																		
Input 2 (+)	B1	A1	Input 1 (+)																																																																																																																																																																		
Input 2 (-)	B2	A2	Input 1 (-)																																																																																																																																																																		
AG	B3	A3	AG																																																																																																																																																																		
Input 4 (+)	B4	A4	Input 3 (+)																																																																																																																																																																		
Input 4 (-)	B5	A5	Input 3 (-)																																																																																																																																																																		
Input 6 (+)	B6	A6	Input 5 (+)																																																																																																																																																																		
Input 6 (-)	B7	A7	Input 5 (-)																																																																																																																																																																		
AG	B8	A8	AG																																																																																																																																																																		
Input 8 (+)	B9	A9	Input 7 (+)																																																																																																																																																																		
Input 8 (-)	B10	A10	Input 7 (-)																																																																																																																																																																		
		A11	N.C.																																																																																																																																																																		

[ Mounting dimensions, Dimensions ]

<p>Product discontinuation Model C200H-AD002</p>	<p>Recommendable replacement</p>
<p><b>Mounting dimensions</b></p>  <p><b>Dimensions</b></p> 	<p><b>Dimensions</b></p> <p><b>Model CJ1W-AD081-V1</b></p>  <p><b>Model CS1W-AD081-V1</b></p> 

[Operation methods ]

<p align="center"><b>Product discontinuation</b> <b>Model C200H-AD002</b></p>	<p align="center"><b>Recommendable replacement</b></p>
<p><b>Component Names</b></p> 	<p><b>Component Names</b></p> <p><b>Model CJ1W-AD081-V1</b></p>  <p><b>Model CS1W-AD081-V1</b></p> 

Specifications and prices in this product news are as of the issue date and are subject to change without notice. Only main changes in specifications are described in this document. Please be sure to read the relevant catalogs, datasheets, product specifications, instructions, and manuals for precautions and necessary information when using products.