

Product Discontinuation Notices

August 1, 2011

Photomicro Sensors

No. 2011255E

Discontinuation Notice of Photomicro Sensors EE-SPY405, EE-SPY803-1, EE-SPY804

Product Discontinuation

Recommended Replacement



EE-SPY405
EE-SPY803-1
EE-SPY804



No recommended replacement

Discontinuation date : The end of March, 2012

Dimensions

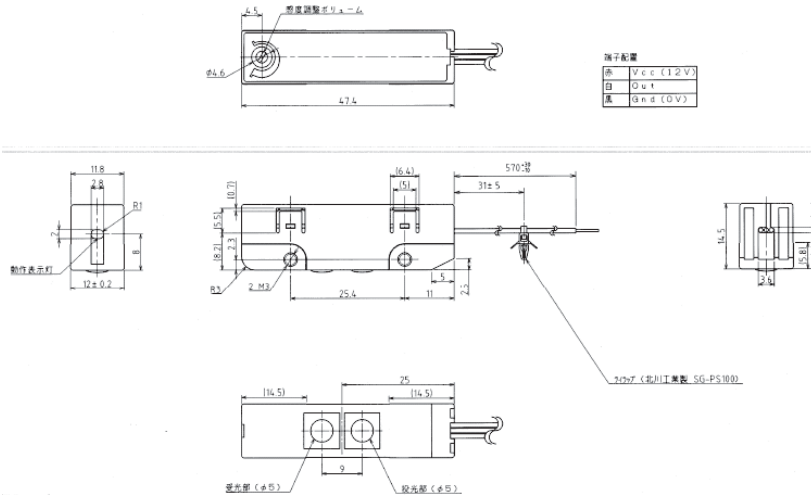
Product discontinuation EE-SPY405	Recommendable replacement
<p>EE-SPY405</p>	<p>No recommended replacement</p>

Dimensions

Product discontinuation EE-SPY80[]

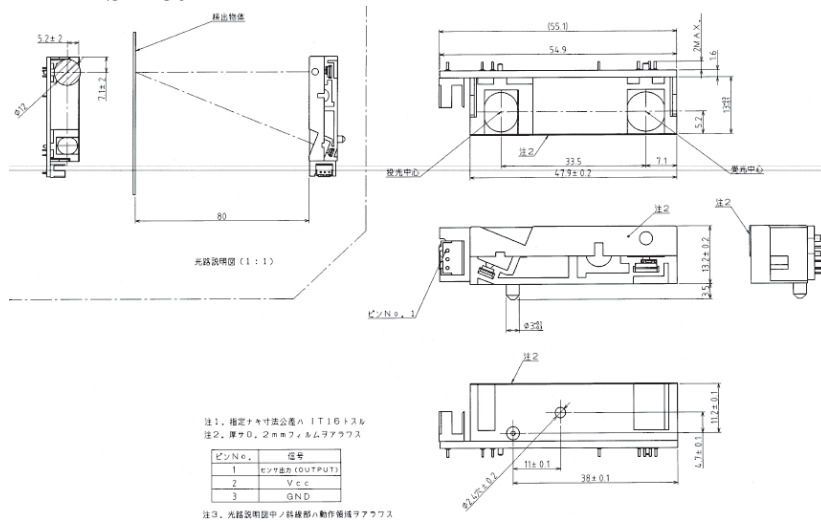
Recommendable replacement

EE-SPY803-1



No recommended replacement

EE-SPY804



No recommended replacement