

Product Discontinuation Notices

Photomicro Sensors

Issue Date
January 6, 2014

No. 2014003CE

Discontinuation Notice of Manuscript Paper Sensor (1 Beam) the part of EY3A-112, -112-A, -108-A.

Product Discontinuation

Manuscript Paper Sensor (1 Beam)

Model EY3A-112
Model EY3A-112-A
Model EY3A-108-A



Recommended Replacement

Manuscript Paper Sensor (1 Beam)

Model EY3A-1051

[Discontinuation date]

The end of March, 2015

[Caution on recommended replacement]

Dimensions, Characteristics and Operation ratings are big difference.
Please consider had enough in advance occasion of use.

[Difference from discontinued product]

Recommended replacement Model	Body Color	Dimen-sions	Wire connection	Mounting Dimensions	Charact-eristics	Operation ratings	Operation methods
EY3A-1051	**	--	*	--	--	--	-

** : Compatible

* : The change is a little/Almost compatible



-- : Not compatible

- : No corresponding specification

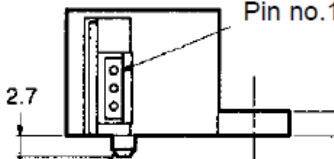
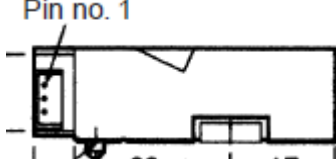
[Product Discontinuation and recommended replacement]

Product discontinuation	Recommended replacement
EY3A-112	EY3A-1051
EY3A-112-A	EY3A-1051
EY3A-108-A	EY3A-1051

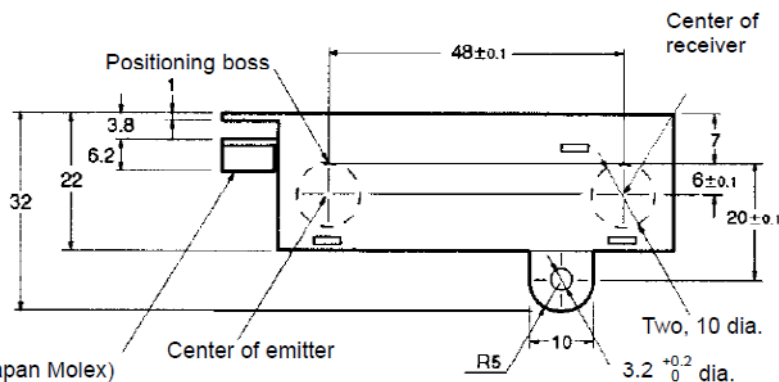
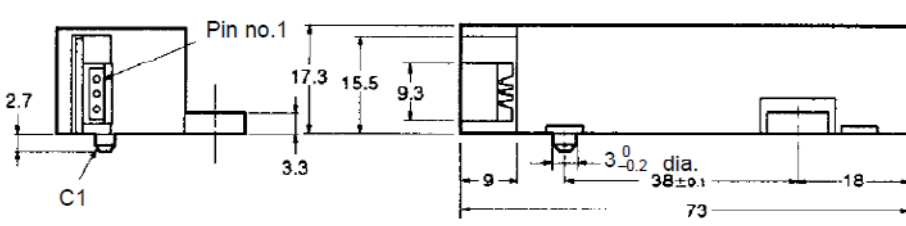
[Body color]

Product discontinuation Model EY3A-112, 112-A, 108-A	Recommendable replacement Model EY3A-1051
BLACK 	BLACK 

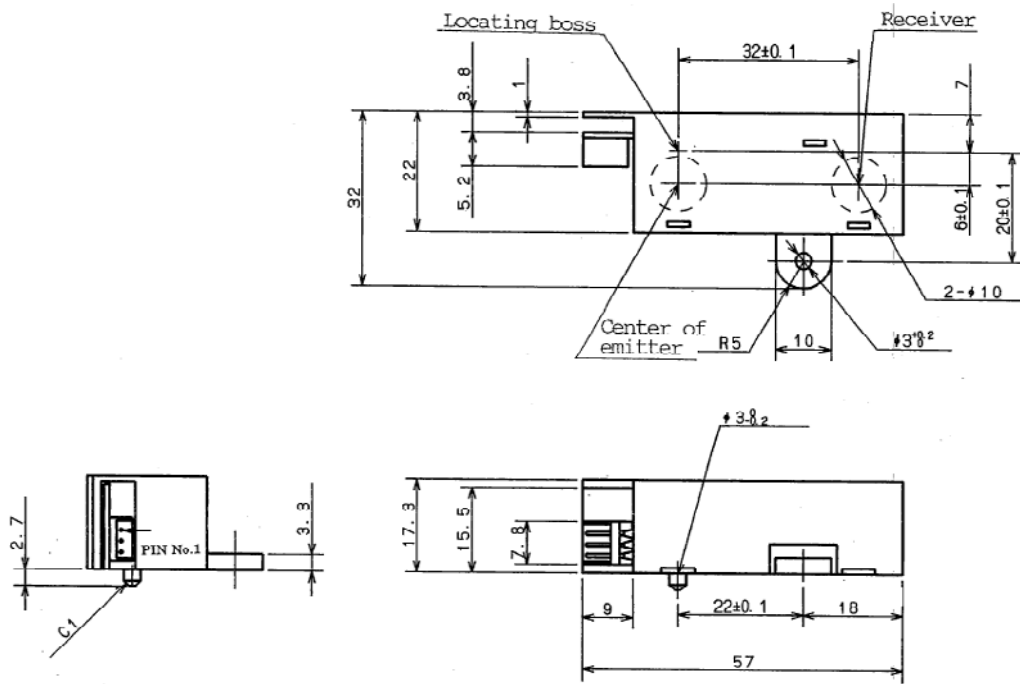
[Wire connection]

Product discontinuation Model EY3A-112, 112-A, 108-A	Recommendable replacement Model EY3A-1051																								
<p>EY3A-112, 112-A, 108-A</p>  <table border="1" style="margin-left: 100px;"> <thead> <tr> <th>Pin no.</th> <th>Remarks</th> <th>Name</th> </tr> </thead> <tbody> <tr> <td>1</td> <td>O</td> <td>Output (OUT)</td> </tr> <tr> <td>2</td> <td>V</td> <td>Power supply (Vcc)</td> </tr> <tr> <td>3</td> <td>G</td> <td>Ground (GND)</td> </tr> </tbody> </table> <p>EY3A-112 Connector 53325-0360(Molex) Recommended Connectors: Molex 51090-0300 (crimp-type connector) 52484-0310 (insulation displacement-type connector)</p> <p>EY3A-112-A, 108-A Connector 292253-3(AMP) Recommended Connectors: AMP 173977-3 (press-fit connector) 179228-3 (crimp connector) 175778-3 (crimp connector)</p>	Pin no.	Remarks	Name	1	O	Output (OUT)	2	V	Power supply (Vcc)	3	G	Ground (GND)	 <table border="1" style="margin-left: 100px;"> <thead> <tr> <th>Pin no.</th> <th>Remarks</th> <th>Name</th> </tr> </thead> <tbody> <tr> <td>1</td> <td>O</td> <td>Output (OUT)</td> </tr> <tr> <td>2</td> <td>V</td> <td>Power supply (Vcc)</td> </tr> <tr> <td>3</td> <td>G</td> <td>Ground (GND)</td> </tr> </tbody> </table> <p>Connector 53325-0360(Molex) Recommended Connectors: Molex 51090-0300 (crimp-type connector) 52484-0310 (insulation displacement-type connector)</p>	Pin no.	Remarks	Name	1	O	Output (OUT)	2	V	Power supply (Vcc)	3	G	Ground (GND)
Pin no.	Remarks	Name																							
1	O	Output (OUT)																							
2	V	Power supply (Vcc)																							
3	G	Ground (GND)																							
Pin no.	Remarks	Name																							
1	O	Output (OUT)																							
2	V	Power supply (Vcc)																							
3	G	Ground (GND)																							

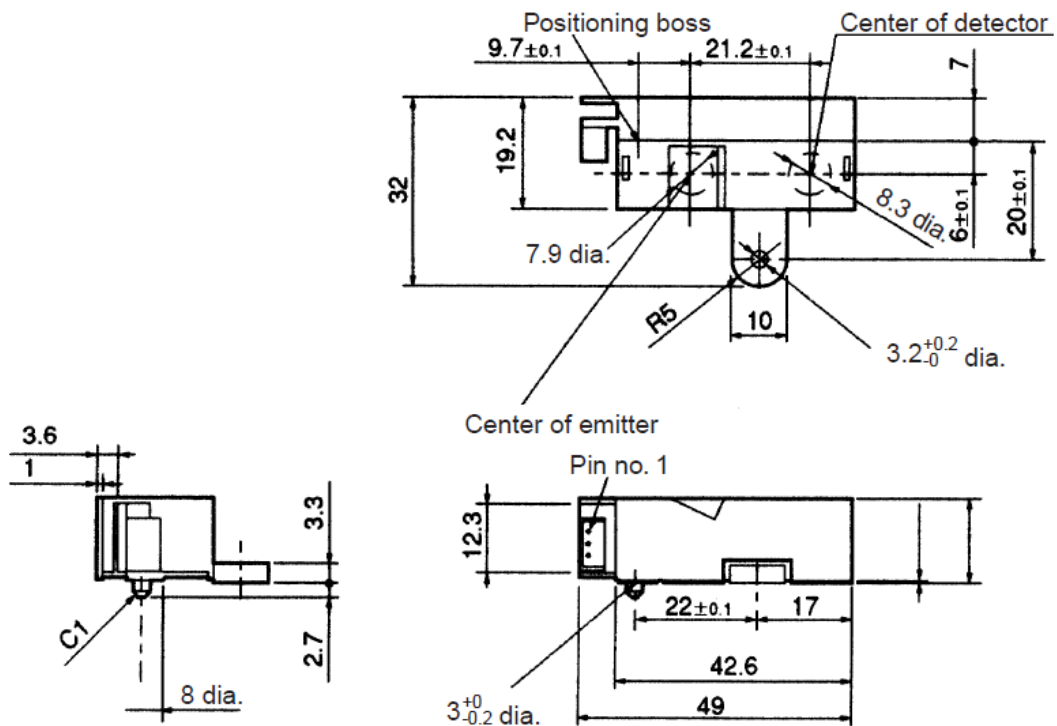
[Mounting dimensions] / [Dimensions]

Product discontinuation Model EY3A-112, 112-A



**Product discontinuation
Model EY3A-108-A**



**Recommendable replacement
Model EY3A-1051**



[Characteristics]

Item	Product discontinuation Model EY3A-112, -112-A	Recommendable replacement Model EY3A-1051
Power supply voltage	5 V +/- 5%	
Current consumption	50 mA max.	
Peak current consumption	200 mA max.	
Low-level output voltage	0.6 V max. (VCC = 5 V, IOL = 4 mA, sensing object)	
High-level output voltage	3.5 V min. (VCC = 5 V, RL = 4.7 kohm, not sensing object)	
Response delay time (High to Low)	35 ms max. The time required for the output to become "Lo" after placing sensing object.	1.5 ms max. The time required for the output to become "Lo" after placing sensing object.
Response delay time (Low to high)	20 ms max. The time required for the output to become "Hi" after removing sensing object.	1.5 ms max. The time required for the output to become "Hi" after removing sensing object.
Sensing density	Lusterless paper with an OD of 0.6 max. (sensing distance: 125 mm)	Lusterless paper with an OD of 0.9 max. (sensing distance: 50 mm)
Non-sensing distance	185 mm (from the top of the sensor), OD: 0.05	85 mm (from the top of the sensor), OD: 0.05
Paper sensing distance	125 mm (from the top of the sensor)	50 mm (from the top of the sensor)
Ambient illumination	Sunlight: 3,000 lx max., fluorescent light: 2,000 lx max.	Sunlight: 3,000 lx max., fluorescent light: 2,000 lx max.

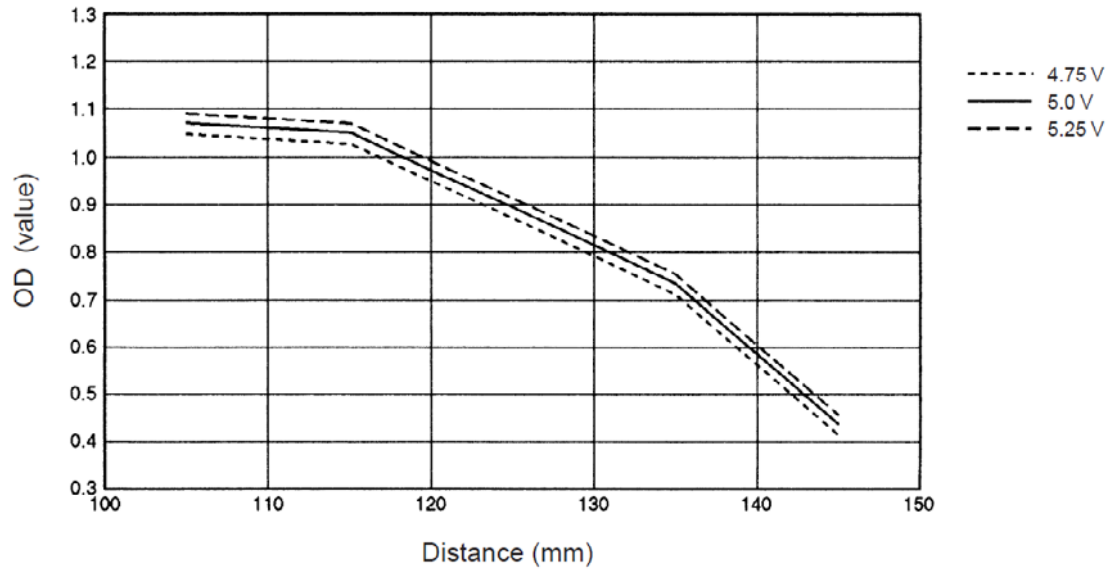
Item	Product discontinuation Model EY3A-108-A	Recommendable replacement Model EY3A-1051
Power supply voltage	5 V +/- 5%	
Current consumption	50 mA max.	
Peak current consumption	200 mA max.	
Low-level output voltage	0.6 V max. (VCC = 5 V, IOL = 4 mA, sensing object)	
High-level output voltage	3.5 V min. (VCC = 5 V, RL = 4.7 kohm, not sensing object)	
Response delay time (High to Low)	35 ms max. The time required for the output to become "Lo" after placing sensing object.	1.5 ms max. The time required for the output to become "Lo" after placing sensing object.
Response delay time (Low to high)	20 ms max. The time required for the output to become "Hi" after removing sensing object.	1.5 ms max. The time required for the output to become "Hi" after removing sensing object.
Sensing density	Lusterless paper with an OD of 0.8 max. (sensing distance: 80 mm)	Lusterless paper with an OD of 0.9 max. (sensing distance: 50 mm)
Non-sensing distance	110 mm (from the top of the sensor), OD: 0.05	85 mm (from the top of the sensor), OD: 0.05
Paper sensing distance	80 mm (from the top of the sensor)	50 mm (from the top of the sensor)
Ambient illumination	Sunlight: 3,000 lx max., fluorescent light: 2,000 lx max.	Sunlight: 3,000 lx max., fluorescent light: 2,000 lx max.

[Operation ratings]

Product discontinuation
Model EY3A-112, -112-A, 108-A

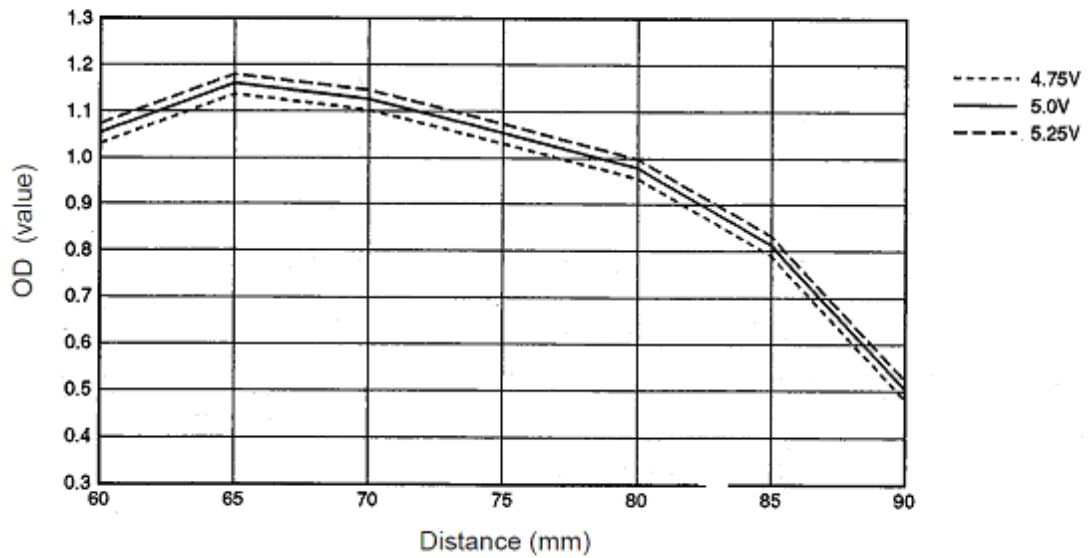
EY3A-112, -112-A

Distance Characteristics (Estimated Lower-limit Value)



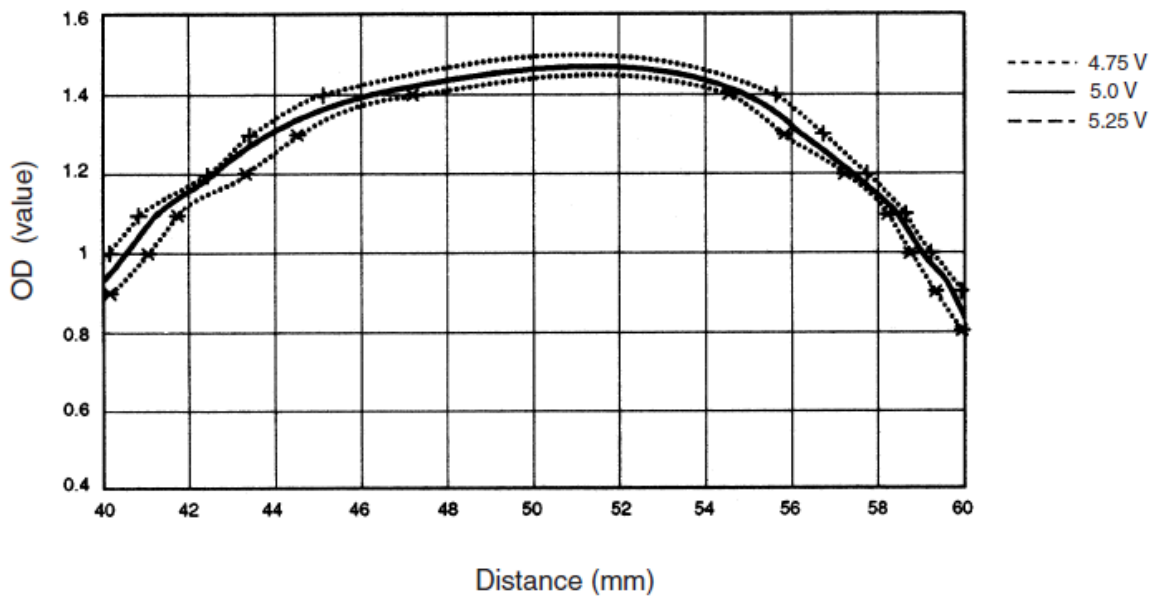
EY3A-108-A

Distance Characteristics (Estimated Lower-limit Value)



Recommendable replacement
Model EY3A-1051

Distance Characteristics (Typical)



Specifications and prices in this product news are as of the issue date and are subject to change without notice. Only main changes in specifications are described in this document. Please be sure to read the relevant catalogs, datasheets, product specifications, instructions, and manuals for precautions and necessary information when using products.