

Product Discontinuation Notices

Vision Sensors / Machine Vision Systems

Issue Date
March 4, 2013

No. 2012311E(2)

Discontinuation Notice of 3D Vision Sensor FZD Series.

<< REQUEST >>

There was modification in portion of Product Discontinuation notices of Product News No. 2012311E of December 2012 issue. What we have changed is as follows; Type FZ-CAL is not discontinued. Please abolish old edition, replace the latest No. 2012311E(2).

Product Discontinuation

3D Vision Sensor

Model FZD-500-10

Model FZD-505-10

Model FZD-550-10

Model FZD-555-10

Model FZD-CBL

Model FZD-CBM

Model FZD-CBS

Model FZD-LTPW

Model FZD-LTW

Model FZD-STC2M



Recommended Replacement

No recommended replacement

[Discontinuation date]

The end of September, 2013

[Product Discontinuation and recommended replacement]

Product discontinuation	Recommended replacement
Model FZD-500-10	No recommended replacement Please contact to our sales stuff about the Recommended replacement product.
Model FZD-505-10	
Model FZD-550-10	
Model FZD-555-10	
Model FZD-CBL	
Model FZD-CBM	
Model FZD-CBS	
Model FZD-LTPW	
Model FZD-LTW	
Model FZD-STC2M	

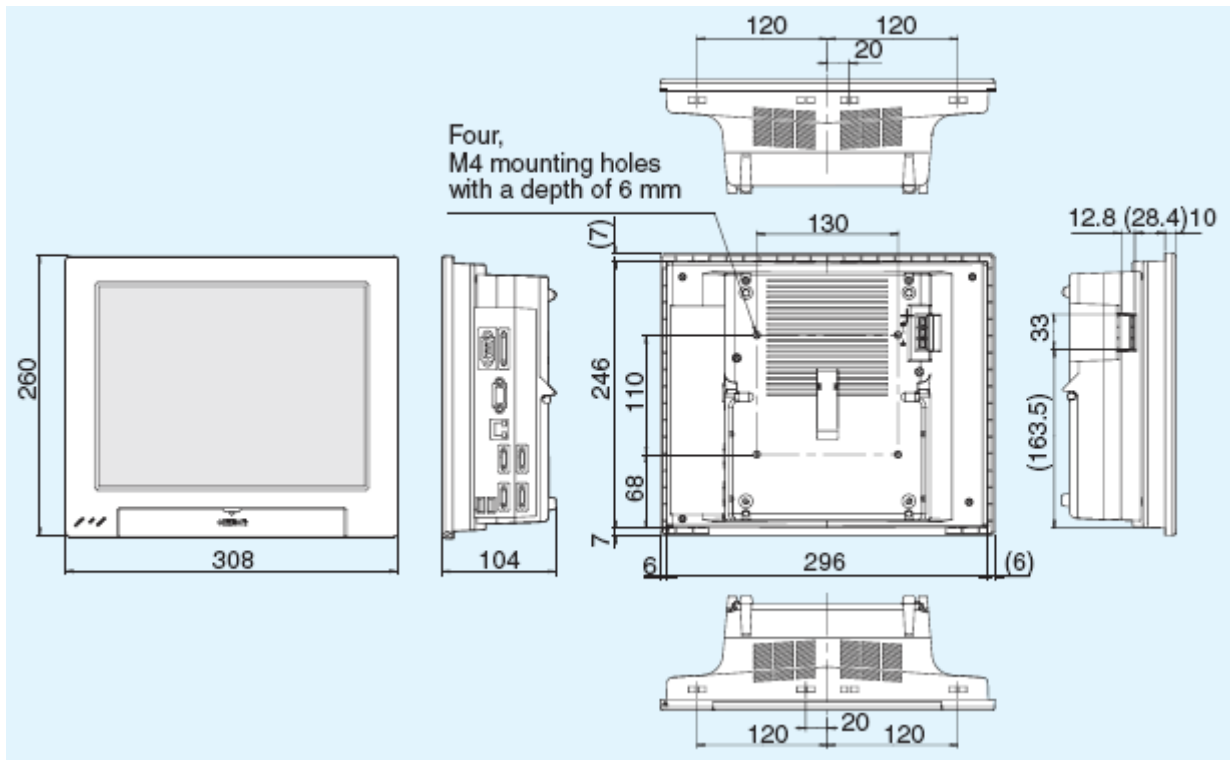
[Body color]

Product discontinuation
Model FZD Series

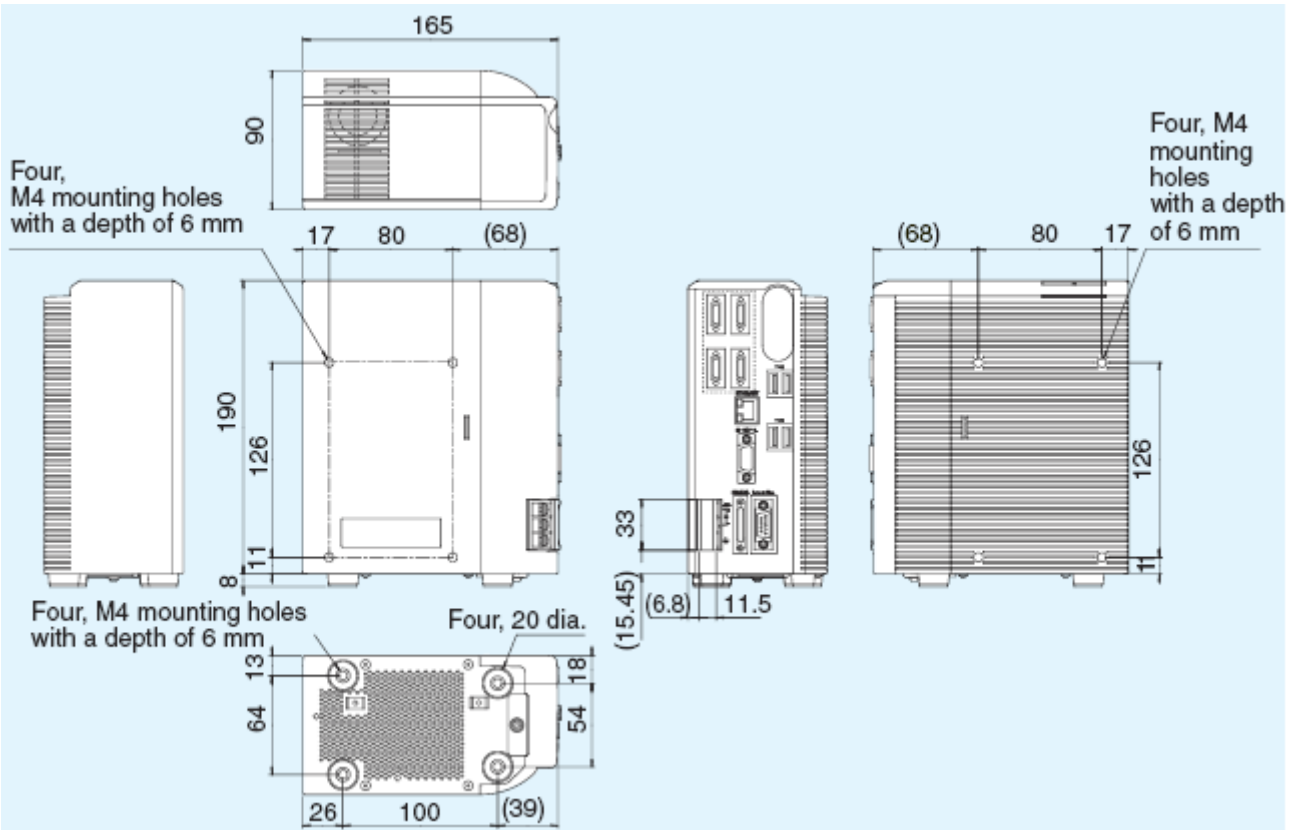


[Dimensions]

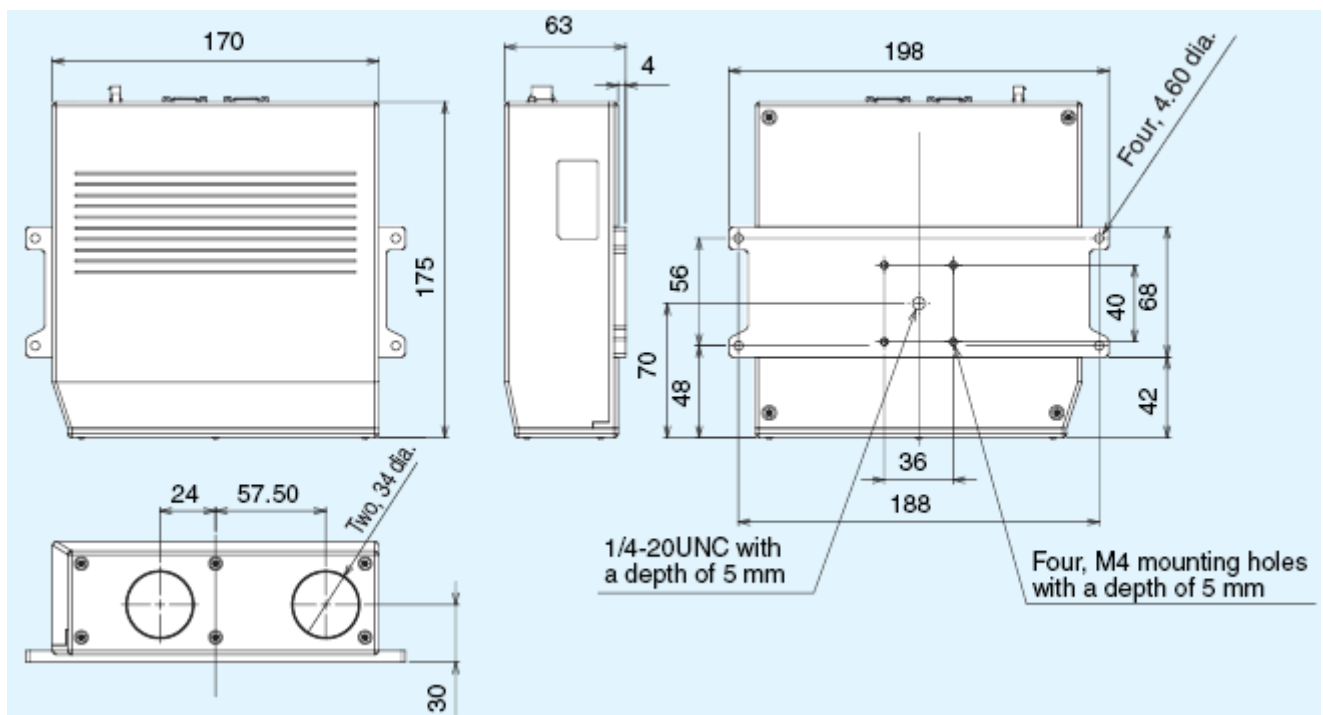
Product discontinuation
Model Controller Integrated with LCD FZD-500-10/FZD-500-10



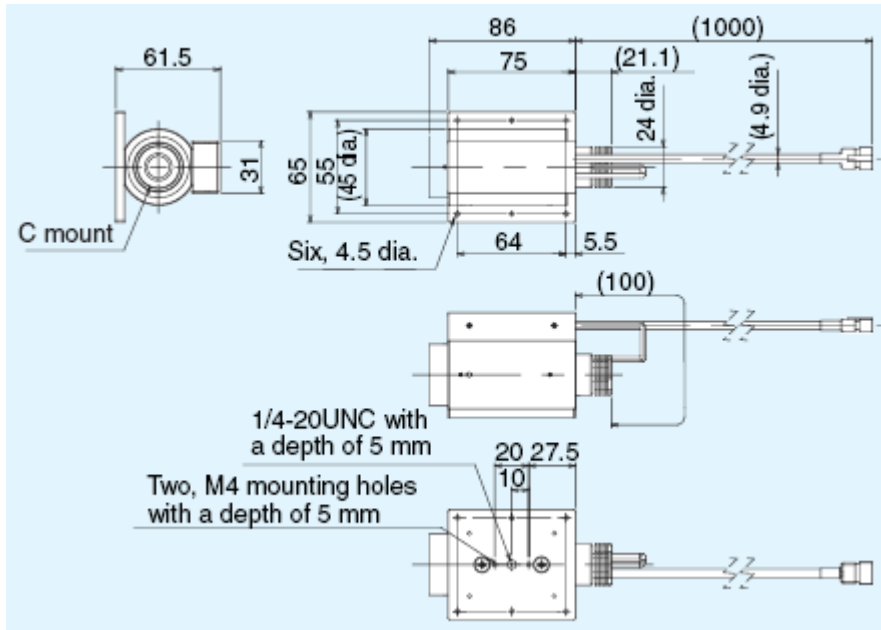
Product discontinuation
Box-type Controller FZD-550-10/FZD-555-10



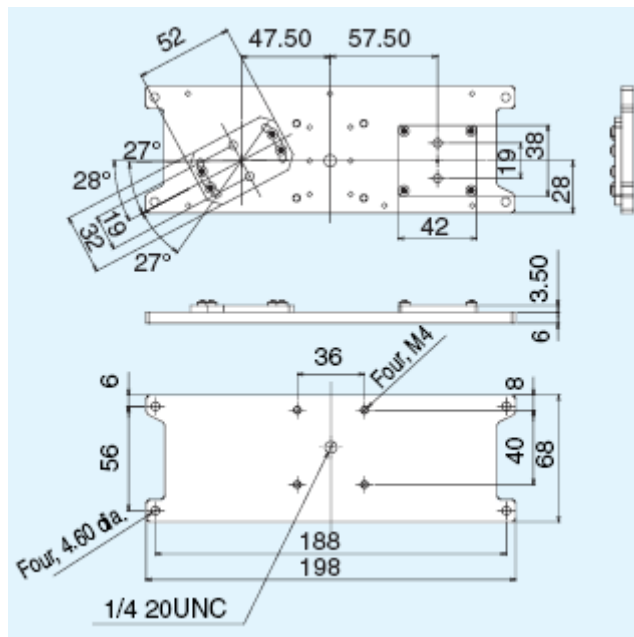
Product discontinuation
3D Vision Camera FZD-STC2M



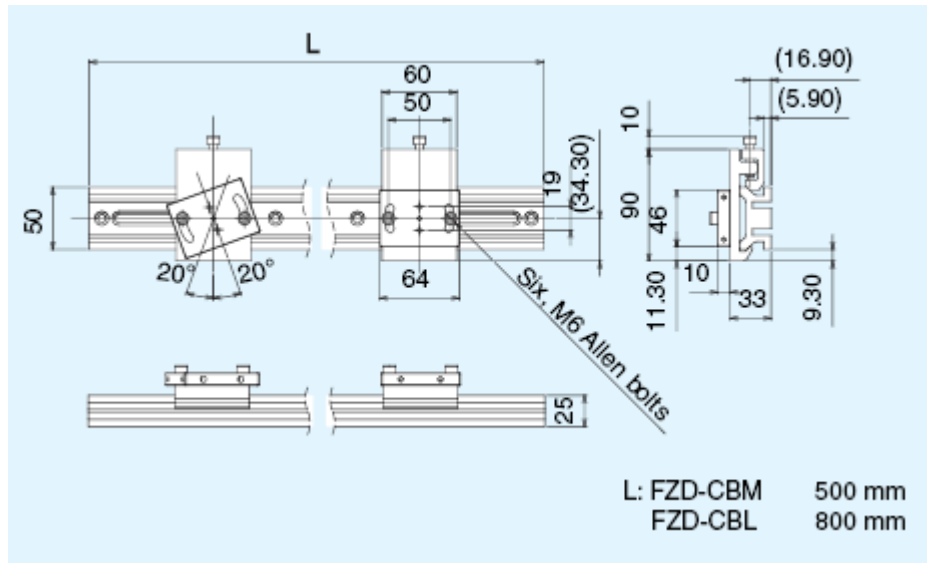
Product discontinuation
High-luminance Pattern Lighting FZD-LTW/LTPW



Product discontinuation
3D Camera Base Plate FZD-CBS



Product discontinuation
3D Camera Base Plate FZD-CBM/CBL



[Characteristics]

Item		Product discontinuation Controllers	
Model	NPN Output	FZD-500-10	FZD-550-10
	PNP Output	FZD-505-10	FZD-555-10
Connected Camera		FZD-STC2M, FZ-S2M, FZ-SC2M, FZ-S, or FZ-SC	
No. of Cameras		4 Cameras (Two Integrated Cameras)	
Processing resolution		1,600 × 1,200 (H × V) (When connected to a 2-million-pixel Camera)	
No. of scenes		32	
Number of logged images (See note 1.)		With Two Cameras (one Integrated Camera) connected: 19, With Four Cameras (two Integrated Cameras) connected: 9	
Operation		Touch pen, mouse, etc.	Mouse or similar device
Settings		Create series of processing steps by editing the flowchart (Help messages provided).	
Serial communications		RS-232C/422: 1 channel	
Network communications		Ethernet 100BASE-TX/10BASE-T	
Parallel I/O		11 inputs (RESET, STEP, DSA, and DI 0 to 7), 26 outputs (RUN, BUSY, GATE, OR, READY, ERROR, STGOUT 0 to 3, and DO 0 to 15)	
Monitor interface		Integrated Controller and LCD 12.1 inch TFT color LCD (Resolution: XGA 1,024 × 768 dots)	Analog RGB video output, 1 channel
USB interface		4 channels (supports USB 1.1 and 2.0)	
Power supply voltage		20.4 to 26.4 VDC	
Current consumption	Connected to FZD-STC2M	4.9 A max.	
	Connected to FZ-S_2M		
Ambient temperature range		Operating: 0 to 45 °C, 0 to 50 °C (See note 2.), Storage: -20 to 65 °C (with no icing or condensation)	
Ambient humidity range		Operating and storage: 35 %RH to 85 %RH (with no condensation)	
Weight		Approx. 3.4 kg	Approx. 1.9 kg
Accessories		Touch pen (one, inside the front panel), Please Read First, Instruction Manual (Setup), 6 mounting brackets	Please Read First, Instruction Manual (Setup)

Note:

- 1: The number of logged images will vary when connecting multiple Cameras with different models.
2: The operating mode can be switched from the Controller Menu settings.

Item	Product discontinuation Cameras		
	Model	FZD-STC2M	FZ-S2M
Measurements	3D measurements	3D and 2D measurements	
Image elements	Interline transfer reading all pixels, 1/1.8-inch CCD image elements		
Color/Monochrome	Color	Monochrome	Color
Effective pixels	1600 × 1200 (H × V)		
Pixel size	4.4 × 4.4 μm		
Shutter function	Electronic shutter; select shutter speeds from 1/10 to 1/50,000 s		
Partial function	12 to 1200 lines		
Frame rate (image read time)	30 fps (33.3 ms)		
Field of vision	84.8 mm (See note 1.)	Select a lens according to the field of vision and installation distance.	
Installation distance	240 mm		
XYZ measurement precision	±0.1 mm (See note 2.)	---	
Ambient temperature range	Operating: 0 to 40 °C, Storage: -25 to 65 °C (with no icing or condensation)		
Ambient humidity range	Operating and storage: 35% to 85% (with no condensation)		
Weight	Approx. 1.3 kg	Approx. 76 g	
Accessories	Instruction Sheet		

Note:

- 1: Tolerance: ±5% max. The vertical field of vision of camera 0 at an installation distance of 240 mm.
 2: When 3D calibration is performed with an OMRON standard target and measurements are taken using the same environment (reference value).

Item	Product discontinuation High-luminance lighting	
	Model	FZD-LTW
Power consumption	11 W	
Ambient temperature range	Operating: 0 to 50 °C, Storage: -25 to 60 °C (with no icing or condensation)	
Ambient humidity range	Operating and storage: 35% to 85% (with no condensation)	
Installation distance	Select the CCTV lens according to the field of vision and installation distance (See note 1).	
LED Class (light section)	Class 2	
Weight	Approx. 450 g (Including installation base)	
Accessories	Instruction Sheet, 4 installation screws, ferrite core, hexagonal wrench.	

Specifications and prices in this product news are as of the issue date and are subject to change without notice. Only main changes in specifications are described in this document. Please be sure to read the relevant catalogs, datasheets, product specifications, instructions, and manuals for precautions and necessary information when using products.